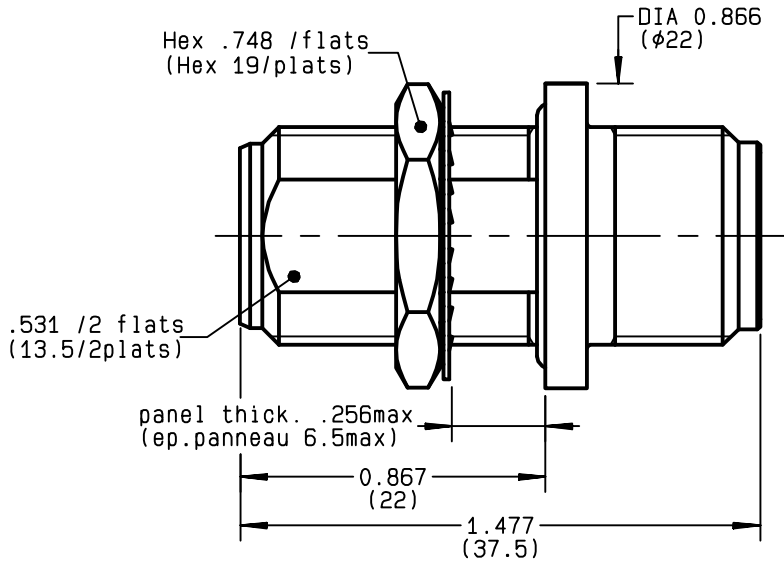
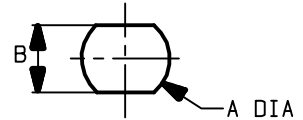


**FEMALE-FEMALE BULKHEAD ADAPTOR  
PANEL SEAL**

**R161.730.000**  
**SERIES N**



PERCAGE PANNEAU  
MOUNTING HOLE



	MM		INCH	
	maxi	mini	maxi	mini
A	16.1	16	0.634	0.63
B	13.7	13.6	0.539	0.535

NOMINAL IMPEDANCE	<b>50</b>	Ω
FREQUENCY RANGE	<b>0-11</b>	GHz
TEMPERATURE RATING	<b>-55/+155</b>	°C
V.S.W.R	<b>1.30</b> +	x F(GHz)Maxi
RF INSERTION LOSS	<b>0.048</b>	√F(GHz) dB Maxi
VOLTAGE RATING	<b>1400</b>	Veff Maxi
DIELECTRIC WITHSTANDING VOLTAGE	<b>2500</b>	Veff Mini
INSULATION RESISTANCE	<b>5000</b>	MΩMini
HERMETIC SEAL	<b>NA</b>	Atm.cm <sup>3</sup> /s
LEAKAGE (pressurized only)	<b>NA</b>	
MECHANICAL DURABILITY	<b>500</b>	Cycles
WEIGHT	<b>45.6</b>	gr
SPECIFICATION		

OTHERS CHARACTERISTICS

CABLE RETENTION	<b>NA</b>	N Mini
CENTER CONTACT RETENTION		
Axial force - mating end	<b>27</b>	N Mini
Axial force - opposite end	<b>27</b>	N Mini
Torque	<b>NA</b>	cm.N Mini
RECOMMENDED TORQUES		
Mating	<b>NA</b>	cm.N
Panel nut	<b>500</b>	cm.N
Clamp nut	<b>NA</b>	cm.N

CONNECTOR PARTS	MATERIALS	FINISH	(all values are given in micrometers)
BODY	BRASS	BBR 2	
OUTER CONTACT	BRASS	BBR 2	
CENTER CONTACT	BERYLLIUM COPPER	GOLD 0.5 OVER NICKEL 2	
INSULATOR	PTFE	-	
GASKET	SILICONE RUBBER	-	
OTHERS PIECES	BRASS	BBR 2	

BONOMINI

ISSUE <b>9726C01</b>	CREATION DATE <b>30/07/1993</b>	FILE PART-NUMBER
-------------------------	------------------------------------	------------------



**RADIALL**®

The information given here is subject to change without notice.  
Design changes may be in order to improve the product .

*Connect to the future*