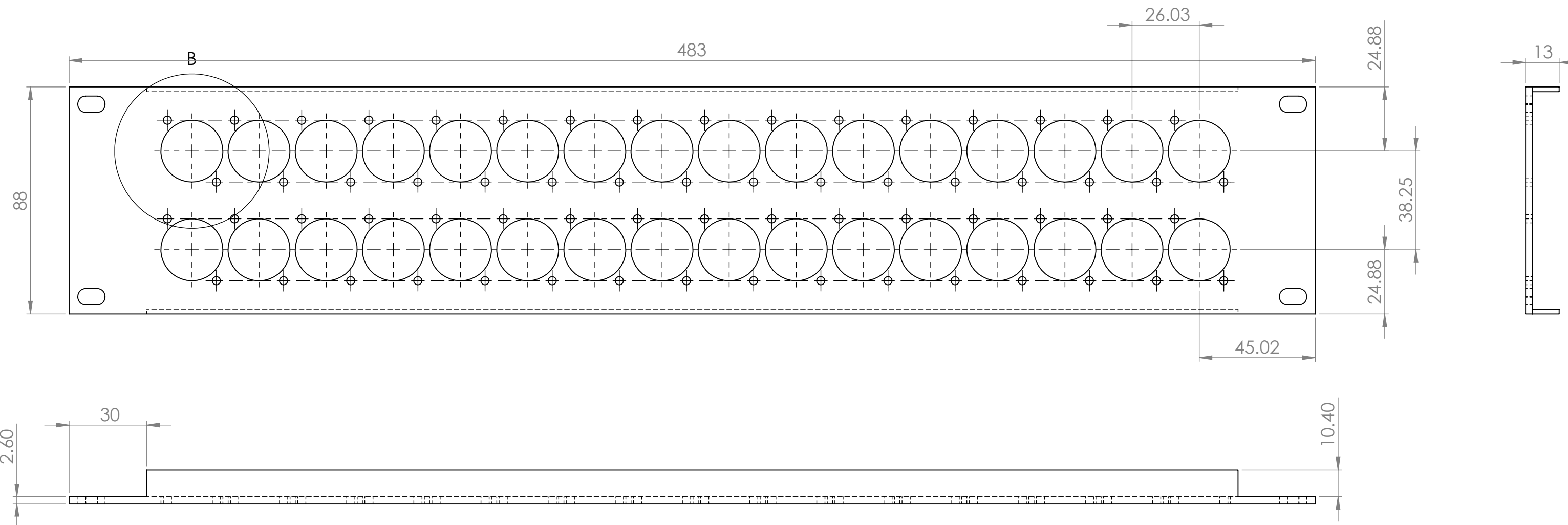
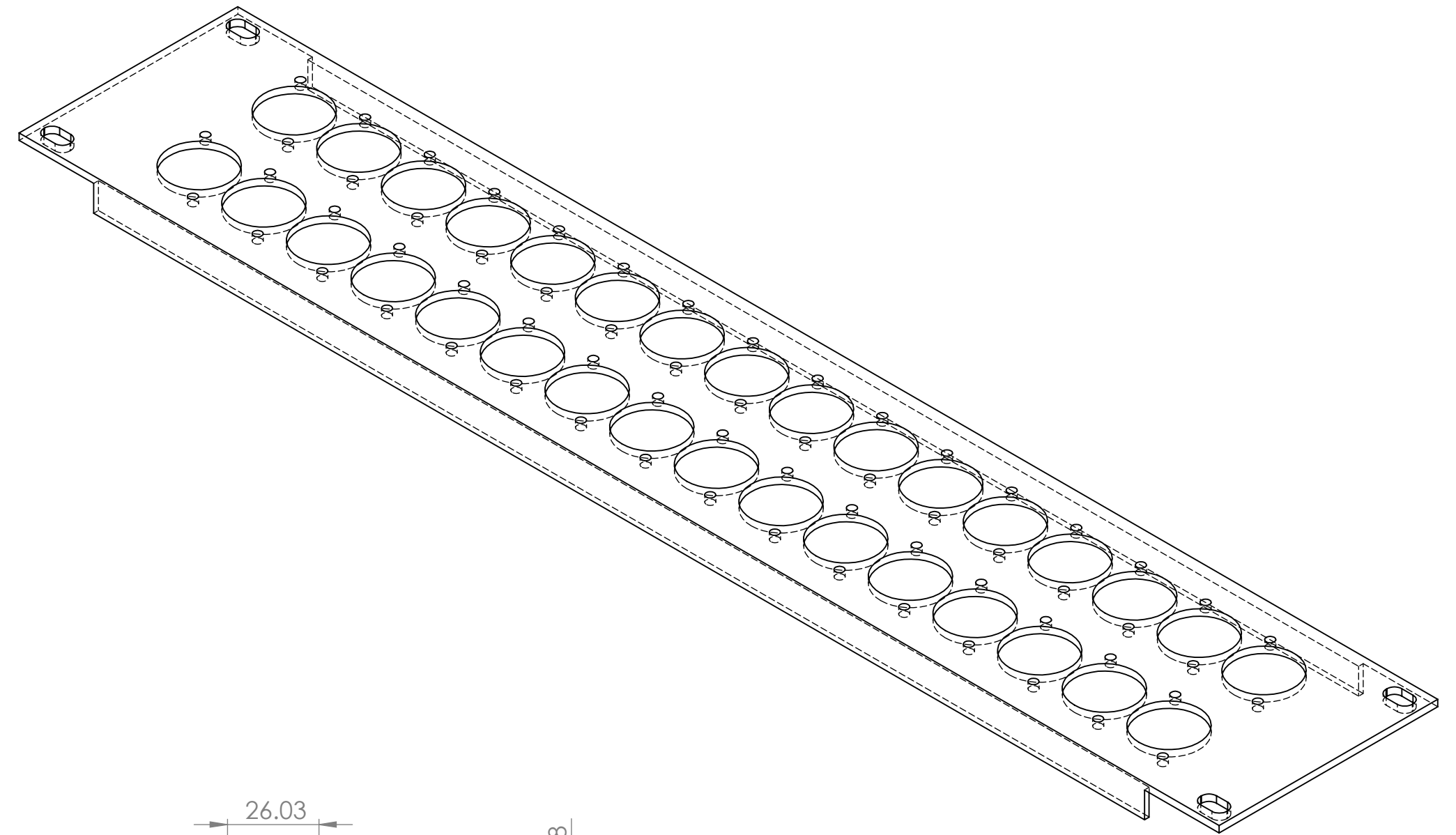


DETAIL B
SCALE 2 : 1.5



UNLESS OTHERWISE SPECIFIED: DIMENSIONS ARE IN MILLIMETERS		FINISH: Linish Face Only Black Anodised		DEBURR AND BREAK SHARP EDGES		DO NOT SCALE DRAWING		REVISION	
TOLERANCES: LINEAR: ANGULAR:								TITLE: 2ru panel dimensions	
								2RU Black Anadized Aliminum Blank Panel 32 x XLR D-shape cutouts	
DRAWN	J Stubbs	SIGNATURE	DATE			DWG NO.		RB2NU632 - 2ru panel dimensions	
CHK'D						MATERIAL:		A2	
APPV'D						6060 T5 Aluminium		SCALE: 1:1.5	
MFG						WEIGHT: 0.32kg		SHEET 1 OF 1	
Q.A									